

SS100-LED & SS100EXd-LED

Slick Sleuth Oil Detection & Alarm

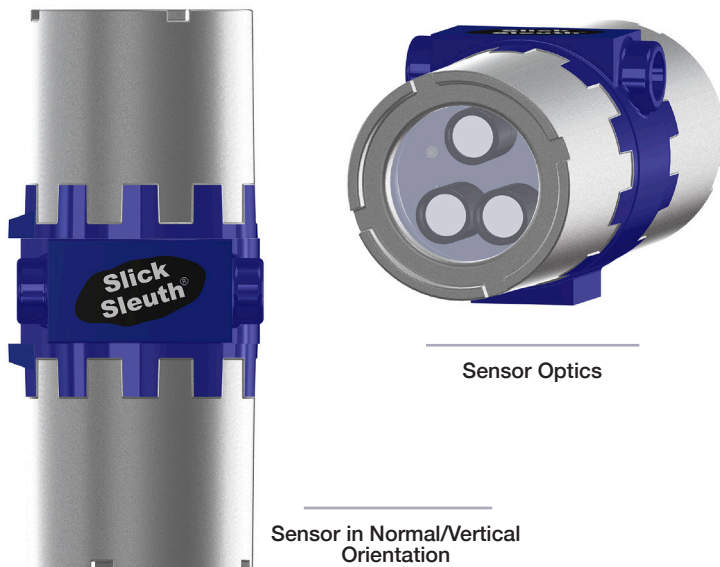


InterOcean Systems



OMNI24 SERVICE INCLUDES:

- 24/7 Monitoring with Custom Web Portal
- Real-time Alerts to Any Device
- Same-Day Tech Support
- Firmware/Software Updates
- Periodic Maintenance (optional)



Sensor Optics

Sensor in Normal/Vertical Orientation

The SS100-LED and SS100EXd-LED product:

Slick Sleuth oil spill monitors remotely sense oil on water or ground with high sensitivity. Real-time alerts are used for automated containment, early-warning spill prevention and response.

Features and benefits:

- Optical NON-CONTACT sensor technology
- Used worldwide for industrial & environmental applications
- Detects crude oil, fuel oil, transformer oil, jet fuel and many more
- Weatherproof and explosion proof
- Sensors and systems for sale, or supplied on a subscription basis, “as a service”
- Payback with single event detection
- World’s most widely used sensor for detection of leaks & spills



24/7 tank dike monitor with automated valve closure

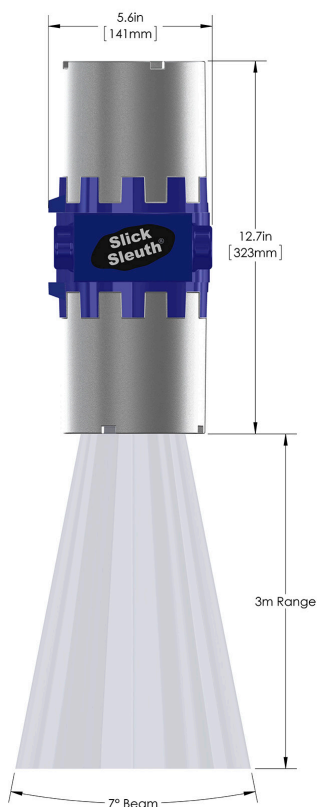
Refineries • Terminals • Plants • Waterways • Coastal • Offshore • Sumps • Sewers • Drains • Discharges • Outfalls

For more information on Slick Sleuth and Omni24 Service, Contact:

InterOcean Systems, LLC • San Diego, CA 92071 • USA

Phone: 1(858) 565-8400 Fax: 1(858) 258-4850 Email: Sales@SlickSleuth.com

www.InterOceanSystems.com



SPECIFICATIONS:

Models	SS100-LED PN: 47358620-01 SS100EXd-LED PN: 47358620-11
Operation	Automated, optical, non-contact sensor Continuous monitoring for presence of oil Patented technology - InterOcean proprietary UV fluorometer Detection of crude, fuel oil, diesel, and other types of oil (contact factory for specific oil and refined product types)
Sensitivity	1-micron (typical), depending on oil type
Detection Range	0.4 to 3 meters over ground or water
UV Light Source	Pulsed LED, focused beam 0.37m (14.5") diameter detection area at 3m Field replaceable with minimum 3-year service life
Enclosure	Cast aluminum with polyester powder coat Watertight - NEMA 4X, IP66 Dimensions - 6x6x13 inches (16x16x33 centimeters) Weight - 12 lbs. (5.4 kg) Mounting boss for bracket, pole or surface mounting
Certifications	CE US EPA: EPA 530 / UST 90/900 IECEX: Ex db IIB+H2 T6 Gb IP66 (EXd models only) ATEX: II 2 G Ex db IIB+H2 T6 Gb IP66 (EXd models only)
Temperature	-15C to +60C operating; -25C with optional heater & insulating cover -40C to +75C non-operating
Humidity	10% to 90% non-condensing
Controls	Magnetic switch - set configuration and operating point Multi-color LED - indicates power on and operating status
Power Supply	100 to 240 VAC, 50/60 HZ, single phase 20 to 28 VDC, from external battery, solar panel, or power supply
Electrical	Serial data - asynchronous RS485, proprietary format or Modbus RTU Analog 4-20mA current loop indicates detection and operating status Relay contact closure (SPST - NO) indicates oil spill detection Relay contact closure (SPST - NC) indicates normal operating status USB port - connection to laptop computer and utility software
Remote Access	Optional external field radio or internet gateway Optional internet access via secure dashboard and web user interface Custom remote telemetry solutions are available - contact factory
Warranty	2-year factory warranty - parts and labor; extended warranty available 3-year warranty - UV light source, optical filters and lenses
Service	A variety of plans are available for installation, operation, equipment maintenance, and global remote internet access



Failsafe monitor & alert for catchments/outfalls



Continuous monitoring & control for floating roof tank drains

For more information on Slick Sleuth and Omni24 Service, Contact:

InterOcean Systems, LLC • San Diego, CA 92071 USA

Phone: (858) 565-8400 **Fax:** (858) 258-4850 **Email:** Sales@SlickSleuth.com